



FCC

Fire-Protection Disc Valve

Description

The FCC Fire protection disc valves are designed for ceiling and wall applications; and are suitable for use in extract systems. These disc valves incorporate a fusible link and upon sensing the set temperature, the link breaks and the spring-loaded disc goes back in its seat in the frame and closes the air passage.

Properties

The adjusting disc can be individually taken off the valve body, regardless of the spring loaded mechanism. It is possible to adjust the air flow rate by turning the disc clockwise or counterclockwise. When the link breaks, the spring-loaded disc goes back in its seat in the frame and closes the air passage; thus preventing fire intrusion to the ducting. The standard fusible link is rated 72°C, but it is possible to use different temperature rated links on request. The FCC disc valves are manufactured to suit standard flexible ducts, in 4 different sizes.

Materials

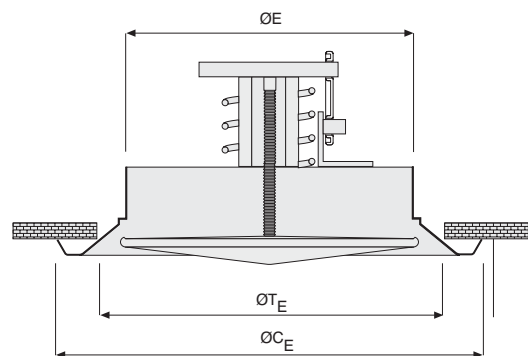
The unitary frame and the disc are manufactured from spun steel sheets, and the slider core is from DIN 1651 No:1.07.36 norm steel.

Surface Treatment

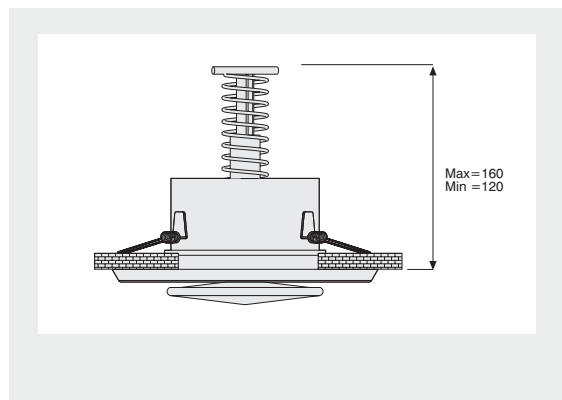
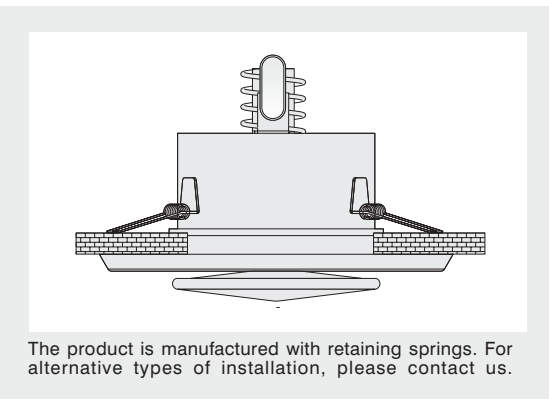
The spring-loaded slider core mechanism is galvanize plated, and the rest of the product is painted to 20% gloss RAL 9010 as standard, with electrostatic powder paint, to a minimum of 60µ thickness. Other colours are available on request.

Dimensions

Standard Dimensions			
Size (mm)	ØE	ØC _E	ØT _E
100	95	185	120
120	116	205	140
160	153	245	185
200	193	285	220



Installation



Technical Data

ØE (mm) 100			ØE (mm) 120			ØE (mm) 160			ØE (mm) 200		
Flow_Rate (m³/h)	ΔP (Pa)	S dB(A)	Flow_Rate (m³/h)	ΔP (Pa)	S dB(A)	Flow_Rate (m³/h)	ΔP (Pa)	S dB(A)	Flow_Rate (m³/h)	ΔP (Pa)	S dB(A)
35	10	<20	35	5	<20	35			35		
75	40	20	75	30	<20	75	15	<20	75		
110	90	30	110	70	25	110	35	20	110		
145	140	40	145	130	30	145	55	25	145	6	<20
180			180	170	36	180	95	30	180	12	<20
220			220			220	130	35	220	20	<20
290			290			290			290	30	28
360			360			360			360	55	34
435			435			435			435	70	36
500			500			500			500	90	40

Specification Text

Fire-protection disc valve for extracting air, to be installed on ceilings and walls. The unitary frame and the disc will be manufactured from spun steel sheets, and the slider core from DIN 1651 No:1.07.36 norm steel. The spring-loaded

slider core mechanism will be galvanize plated, and the rest of the product will be painted to the requested colour with electrostatic powder paint, to a minimum of 60µ thickness. The fusible link will be UL-33 certified and be easily replaced.

Order Code

Model	FCC.00.AA.50.120-9010		
		ØE (mm) Refer to page 2	Indicate RAL colour code
Installation Type	50...Spring Mechanism	Standard Dimensions	Colour code

C

CCA

Fire-Protection Disc Valve

KES KLİMA

INDUSTRIAL AND TRADE CO.

Uzay Çağı Caddesi No:10
06370 Ostim/ANKARA
Phone: +90.312.385 76 57
Fax : +90.312.354 12 31
www.kesklima.com



TÜV Rheinland Group



DIN EN ISO 9001:2000
Zertif. No: 01 100 042854